

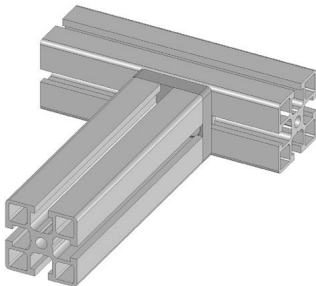
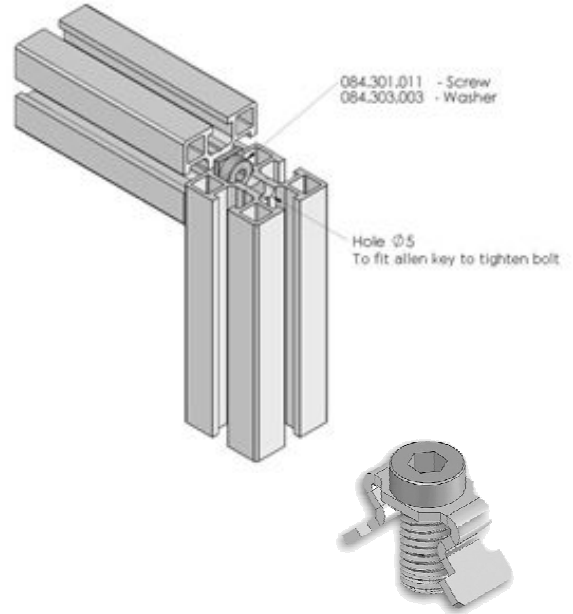
# Typical Aluminium Profile Connections

## Standard Bolt Connection

Using both an Allen Head Screw (ALS.084.301.Bolt) and Square washer (ALS.084.303.001) screwed into the core hole of the aluminium profile, a simple yet strong joint can be made.

A small pilot hole is drilled opposite where the joining profile is to go so that the screw can be tightened. This is the standard joint of the Alusic range and is very cost effective. However, it is not as flexible being able to slide the profiles in the slot as a new pilot hole has to be drilled if the aluminium profile is moved. In most cases however this isn't required so this is the most simple and economical connector to use.

In some applications you may also wish to add our Anti-Twist Device (Part ALS.084.303.006) which replaced the square washer in the standard connection. The twin tabs on the device go into the slots of the connecting profile and stop any twisting in the joint. A simple and effective solution.

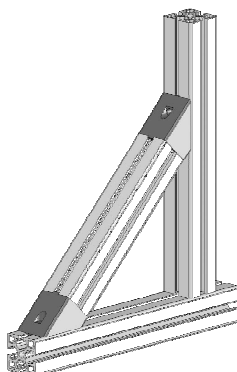
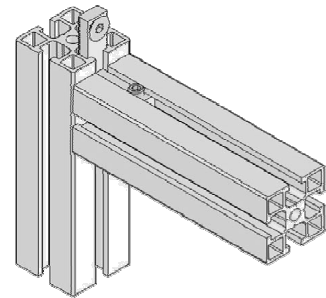


## End Plate Connection

End Plate Connection - ALS.084.308.003 (for 40mm profiles); ALS 084.308.001 (for 45mm profiles); Allows you to easily slide the aluminium profile up and down in the slot via loosening 2 allen-head bolts. The best connector for an adjustable/movable profile. (See Left)

## Simple Screw Connection

ALS.084.307.009 - Simple screw clamp connection useful for joins where a cross member may need to be adjusted in the slot. This can be done by loosening the countersunk screw and sliding the aluminium profile. This joint is best used where the load is applied down against the connector. (See Right)



## 45° Connection

ALS.084.305.011 - Strong 45 degree connection useful for bracing of a standard butt joint. (See Left)

Contact Profilum at:

**P** +61 2 9707 5000

**E** [sales@aluminiumprofile.com.au](mailto:sales@aluminiumprofile.com.au)

**W** [www.aluminiumprofile.com.au](http://www.aluminiumprofile.com.au)